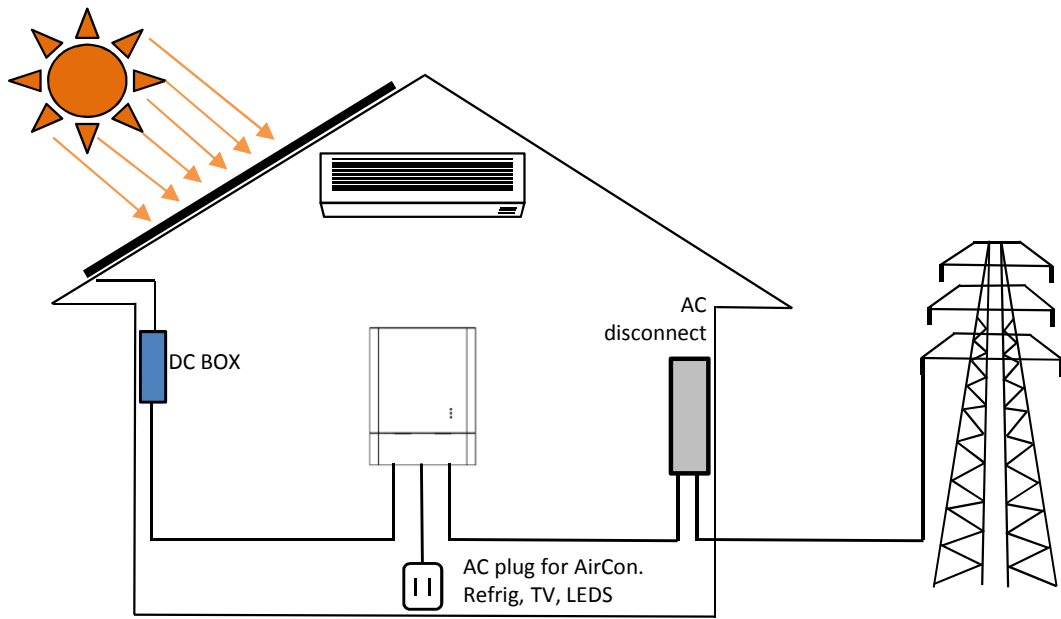


Solar/Grid Hybrid Power system Kit



Feature:

PV power system without Battery
 Available for heavy duty home appliances
 Electricity no cut when day-time black out
 Easy communication by Bluetooth

Specification :

PV power :1500W
 AC input : 110/220V, 50/60Hz
 Output Power : 3000W

Component list

900W system (space 3.3M*2M)

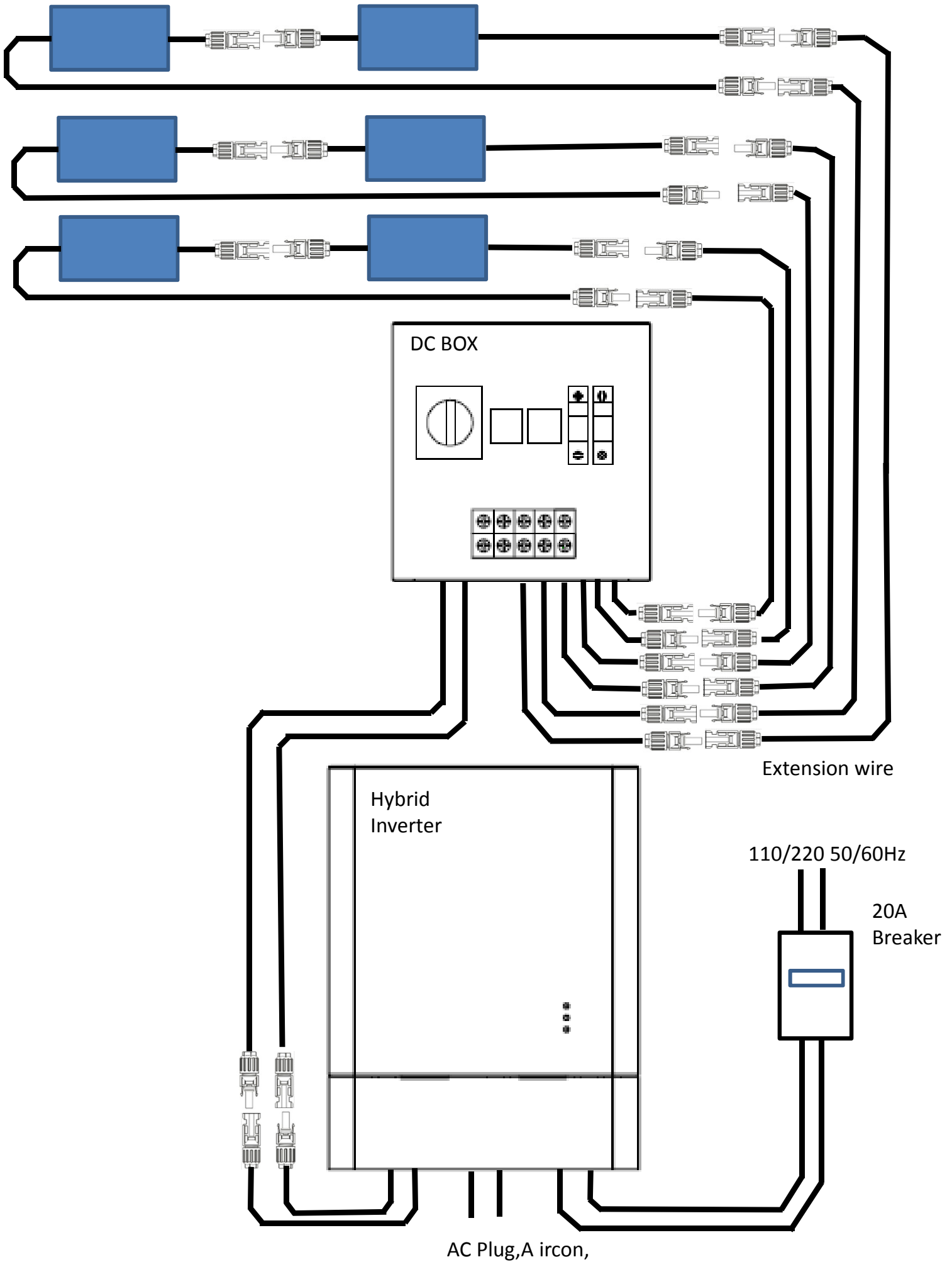
item	name	specification	quantity
1	PV Panel	140-150W, CIGS, note 1	6
2	Hybrid Inverter	PV 1500W, AC output 3000W, 110/220V	1
3	DC Box	Surge protection, Fuse, DC disconnect	1
4	Extention wire	PV wire, 4.0mm, 10 meters	6

Package :

Dimension : 200cm(L)*100cm(W)*60cm(H)

Weight : 160Kg

Wiring Diagram



Mounted on wall

